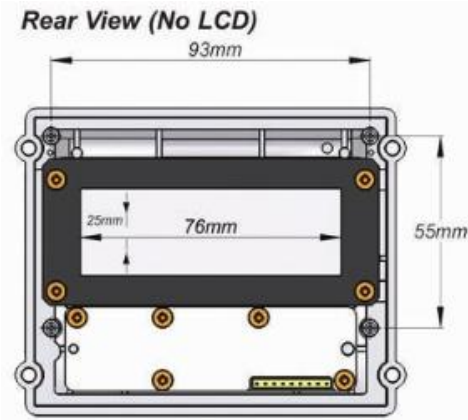


Tough IP65 bezel 20x4 / 100x32



ST50204 (20x4) or ST50100-3 (100x32)



This bezel is designed for tough environments. Supplied with or without display.
Bezel can be used with 20x4 text display or 100x32 graphic display.

TECHNICAL DATA

- Bezel size : 114 x 88 x 17mm (HxWxD), Clear window : 25 x 76mm
- Display screw centre 93 x 55mm
- Clear Scratch Resistant, anti-reflective display window
- Can be fitted with 20x4 LCD or OLED display or 100x32 Graphic OLED
- Impact resistant 10J BS EN 60068-2-75:1997
- Weather sealed for outdoor use, supplied with panel gasket
- Robust and impact resistant material
- Resistant to petrochemicals and virtually all-common cleaning solvent
- Bezel temperature range : -20°C (dry) to +60°C
- OLED Display temperature range: -40°C to +80°C with fast reaction t
- 3 navigation keys with 0.1pitch header.
- Navigation keys switch rating 50mA max / 24V max.

Matrix Keypad Connections

Contact Connections (viewed from rear of keypad)

PINS	*	*	*	*	*	*	*	*	*
PIN NO.	9	8	7	6	5	4	3	2	1

Contact Matrix

PINS	ROW / COLUMN
7	C1
6	C2
5	C3
3	R1

ORDERING INFORMATION

- OPT ST5001 Bezel only IP65, 3 keys
 OPT ST50204B Bezel with 20x4 Blue / White char LCD, IP65, 3 keys
 OPT ST50204G Bezel with 20x4 Green/ Black char LCD, IP65, 3 keys
 OPT ST50204X Bezel with 20x4 OLED Green/ Black char LCD, IP65, 3 keys
 OPT ST50100-3X Bezel with 100x32 Green/ Black graphic LCD, IP65, 3 keys

Visit www.MMS-e.co.uk
For LCD bezel selection

MMS Electronics Ltd
Unit 3, Whiteley Court
Pool Road
Pool in Wharfedale
Leeds LS21 1FR
Tel : 01943 877 668