

1

2

3

4

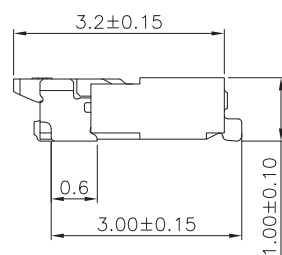
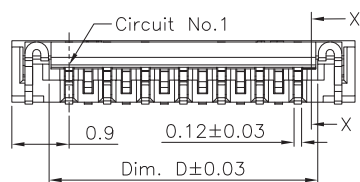
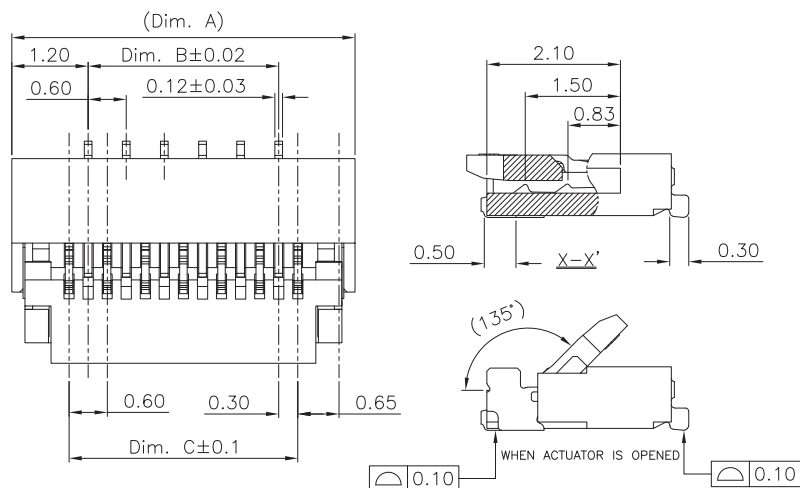
5

Distributed by
MMS E
 ELECTRONICS
 www.mmselectronics.co.uk

Materials And Finish:
 Insulator:LCP UL94V-0
 Contact:Phosphor Bronze
 Stopper:Phosphor Bronze
 Plating:Gold Plated over Nickel

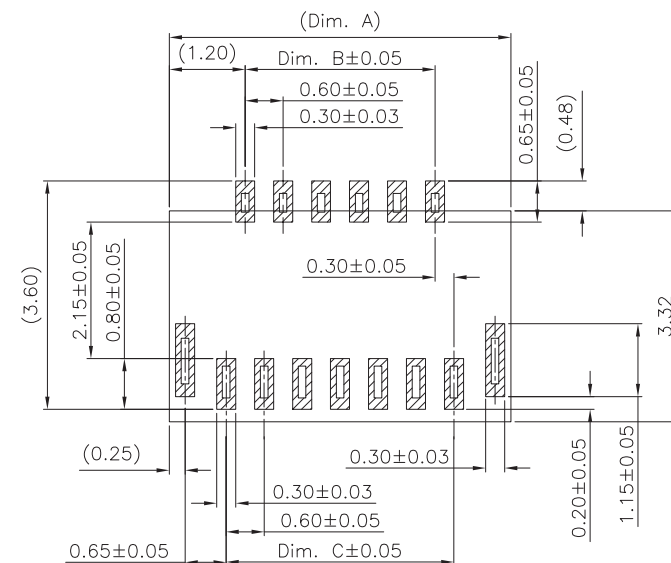
How To Order
 1221SM-XXG-A-TR

Tape&Reel
 No. of Contacts
 SM:SMD Type



Circuit	Dim A	Dim B	Dim C	Dim D
13	5.4	3.0	3.6	4.23
15	6.0	3.6	4.2	4.83
17	6.6	4.2	4.8	5.43
21	7.8	5.4	6.0	6.63
23	8.4	6.0	6.6	7.23
25	9.0	6.6	7.2	7.83
27	9.6	7.2	7.8	8.43
31	10.8	8.4	9.0	9.63
33	11.4	9.0	9.6	10.23
35	12.0	9.6	10.2	10.83
39	13.2	10.8	11.4	12.03
41				2.63
45				3.83
51	16.8	14.4	15.0	15.63
61	19.8	17.4	18.0	18.63
67	21.6	19.2	19.8	20.43
71	22.8	20.4	21.0	21.63

EA WF030-39S



RoHS Compliant

REV	DATE	FILE	BY	DRAWN:	GENERAL TOLERANCE:	Neltron Industrial Co., Ltd.	DESCRIPTION: FPC 0.3 PITCH 1.0H R/A SM TYPE PART NO: 1221SM-XXG-A-TR	SIZE A4
F				Jack Huang	.X=±0.20			
E				CHECKED:	.XX=±0.15			
D				Jerry Chen				
C				APPROVAL:	UNIT: MM			
B				Jack Huang	SCALE: 1:1			
A	10-Dec-2018		Jack Huang	Mike Wu	SHEET: 1 / 1			
					PROJECTION:			