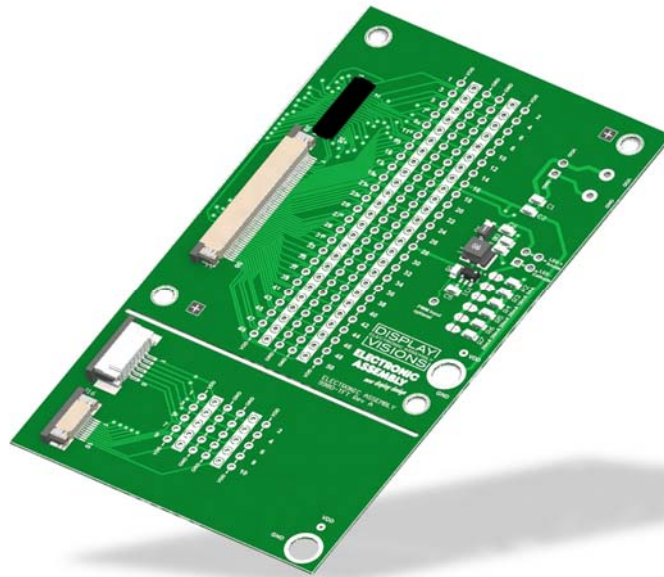


INTERFACEBOARD FOR TFT DISPLAYS INCL. LED DRIVER



Outline dimension 60x106 mm

FEATURES

- ADAPTORBOARD EA TFT DISPLAYS
- ZIFF CONNECTOR 50 PINS, 1.0 mm AND 39 PINS 0.3 mm
- LED DRIVER INCLUDED (ADJUSTABLE 5~95 mA)
- SUPPORTS TOUCH PANEL VIA ZIFF CONNECTOR 6 AND 10 PINS
- TOP AND BOTOM CONTACT FPC CONNECTORS

ORDERING CODE

- INTERFACEBOARD FOR TFT DISPLAYS

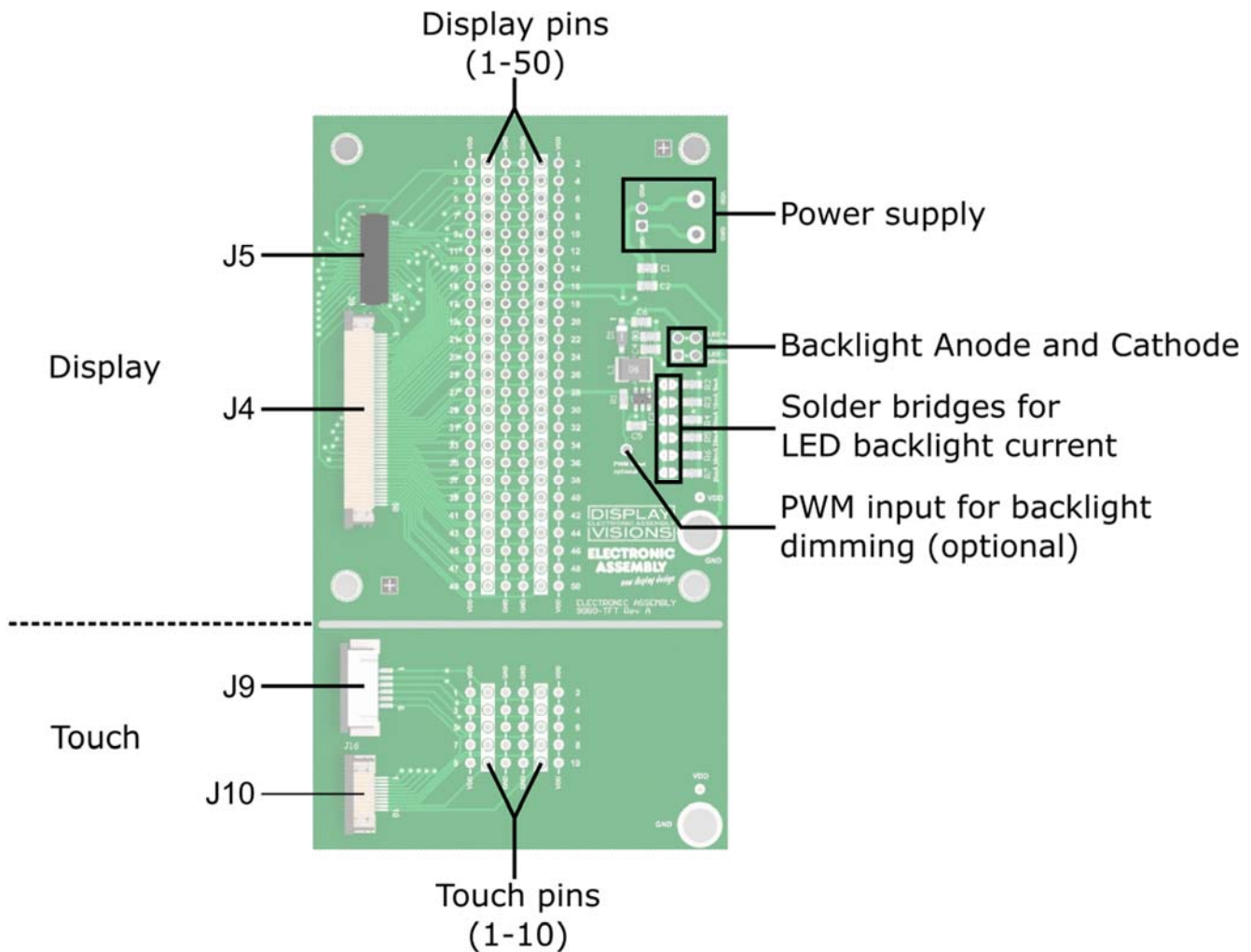
EA 9980-TFT

GENERAL

The EA 9980-TFT is an interface board suitable for EA TFT displays. The board is designed to provide an easy and fast connection to the EA TFT displays. The 2.54 mm pitch allows easy connection to breadboards of various microcontroller manufacturers as well as to the Arduino- or Raspberry PI -world.

HARDWARE

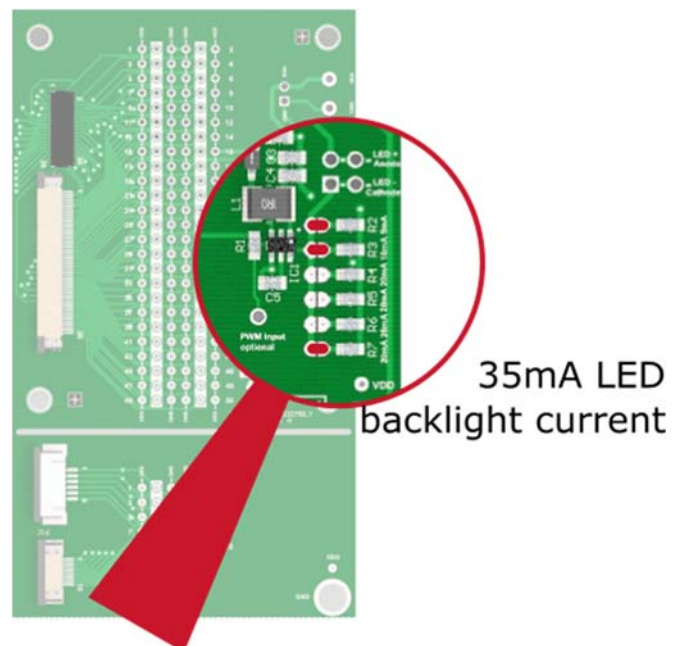
The board consists of two sections. The top section is the display interface, including a LED-backlight driver. The bottom section has FPC-connectors with up to 10 positions for interfacing a potential touch panel. It can be removed from the other part to mechanically fit a wide range of display sizes.



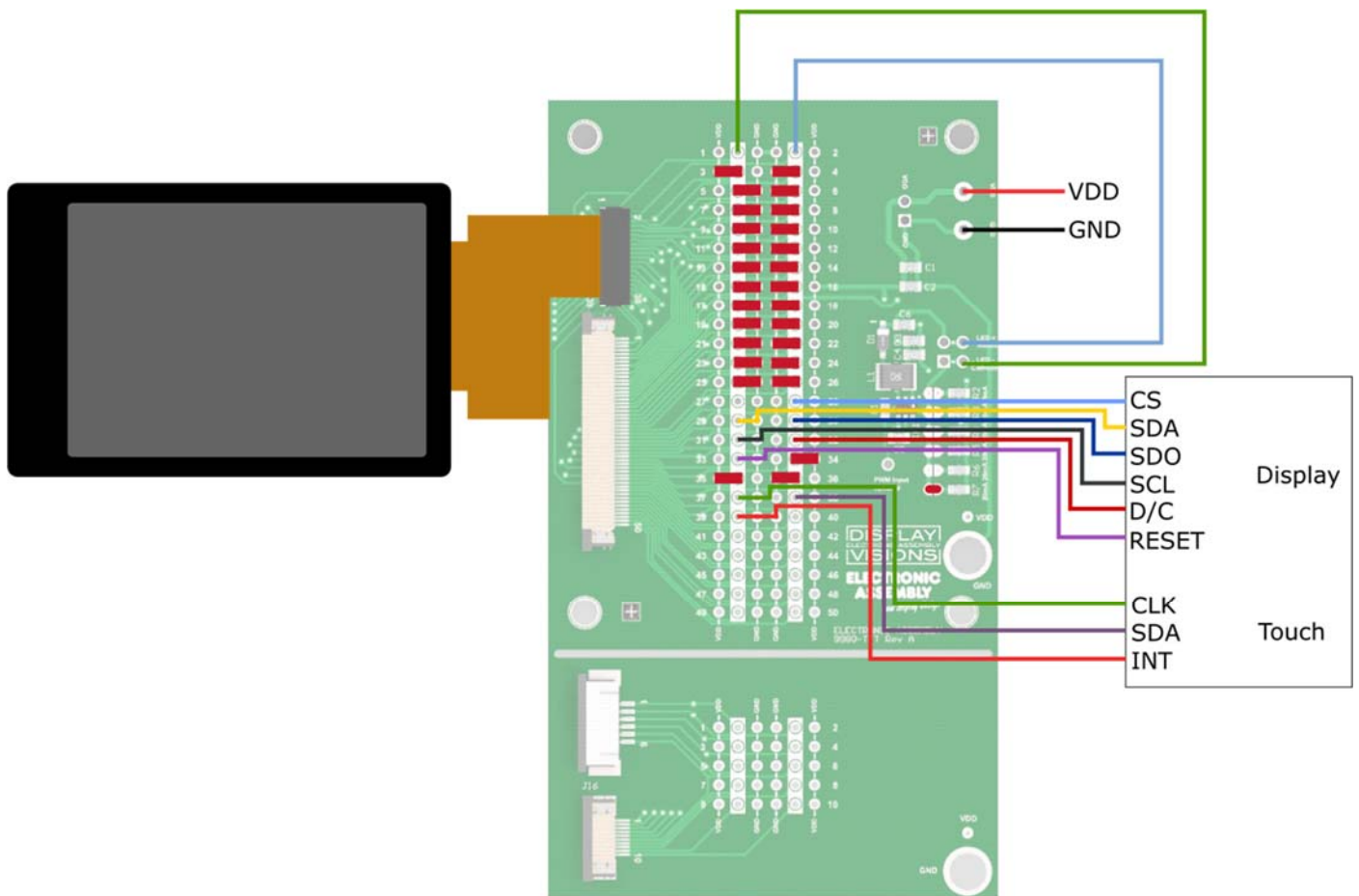
Generally, the board can be used with every EA TFT Display. Please see the list for suiting products.

Ordering Code	Size	Display	Touch
EA TFT020-23AINN	2.0"	J5	-
EA TFT020-23AITC			J5
EA TFT028-23AINN	2.8"		-
EA TFT028-23AITC			J5
EA TFT035-34AINN	3.5"		-
EA TFT035-34AITC			J5
EA TFT035-32AINN			-
EA TFT035-32ATS			J10
EA R480X-43ALW	4.3"	J4	-
EA TFT043-42BITC			J4
EA TFT043-42ANN			-
EA TFT043-42ATS			J10
EA W800X-50AILW	5.0"		-
EA TFT050-84ANN			-
EA TFT050-84BTS			J10
EA TFT052-41ATS			-
EA TFT052-41ATS	5.2"	J10	
EA TFT057-32ANN		-	
EA TFT057-32ATS	5.7"	J10	
EA R1024X-70BLW		-	
EA R1024X-70BLWTS	7.0"	J9	
EA TFT070-84ANN		-	
EA TFT070-84ATS		J10	
EA W1280X-101ALW		10.1"	-

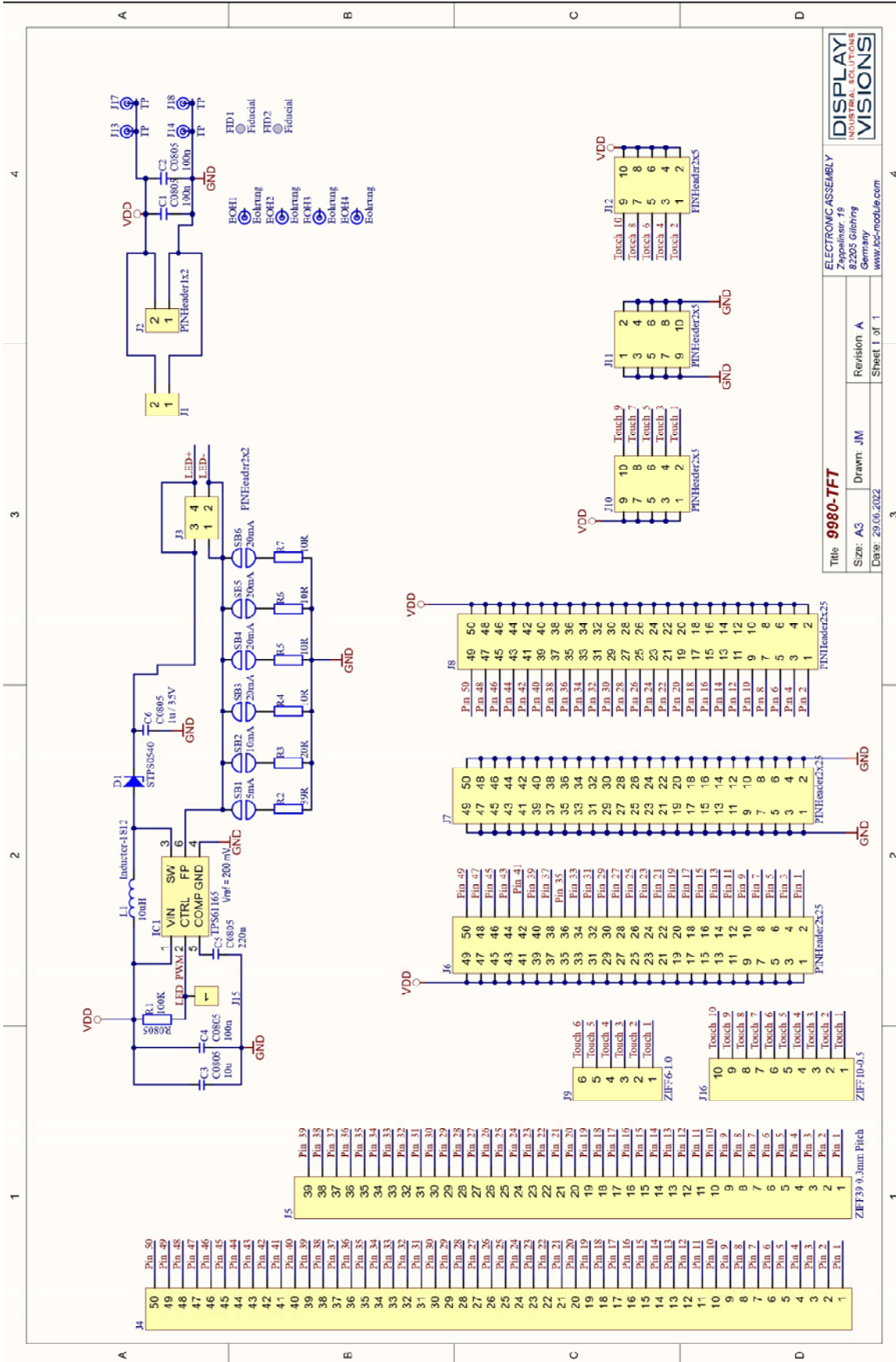
The LED-Driver is connected to VDD and GND. There are 6 solder bridges to set the LED current according to the connected display. The next picture shows as an example the setting for 35 mA.



As an example, the wiring diagram for the EA TFT020-AITC using SPI is as follows. Most of the pins are not used and need to be set to GND. Only some Jumpers are needed.



SCHEMATIC



EA 9980-TFT
 ELECTRONIC ASSEMBLY
 Zappalinstr. 18
 82205 Gilching
 Germany
 www.bcr-module.com

Title: **EA 9980-TFT**
 Size: A3
 Date: 29.06.2022

Revision: A
 Drawn: JM
 Sheet 1 of 1

DIMENSION

