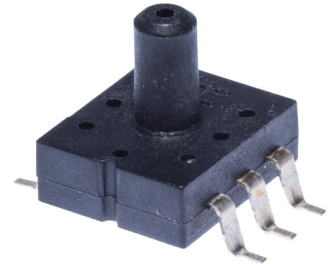


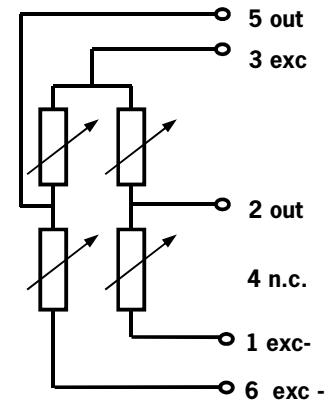
SOLID STATE PRESSURE SENSOR FOR GAUGE PRESSURE IN SO6

The SPD001GBsoic6 series SPD Gauge Pressure sensors are designed for space sensitive applications and are encapsulated in a standard SO-6 package. The sensors are for use with non-corrosive and non-ionic media. The range of this sensor is 1 PSI, other ranges can be made on request.



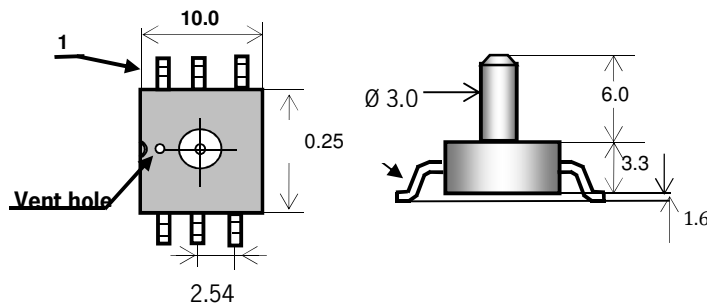
Characteristics (measured @5V exc. voltage and 25 °C)

Parameter	Min	Typ	Max	Units.
Excitation Voltage	0	5	10	V
Excitation Current	-	1,5	3	mA
Pressure range	0		1	psi
Span	35	70	100	mV
Offset	-30	0	70	mV
Temp Coeff. Span 1)	-0,1		-0,25	%FS/°C
Temp Coeff. Offset		±0,08		%FS/°C
Linearity 2)		±0,5		%FS
Bridge impedance	2,7	3,3	3,9	KΩ
Operating temperature	0		50	°C
Storage temperature	-40		125	°C
Over pressure			3x	FS

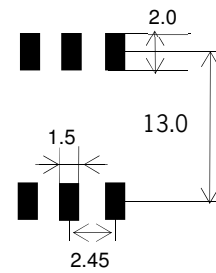


Internal circuit

- 1) Can be reduced to -0.06 ±0.01%/FS/°C by using constant current excitation.
- 2) Measured Best Fit Straight Line



All sizes in mm



Foot print

Soldering 250 °C, 5 sec.