

ABSOLUTE PRESSURE SENSOR WITH COMPENSATED ANALOGUE OUTPUT

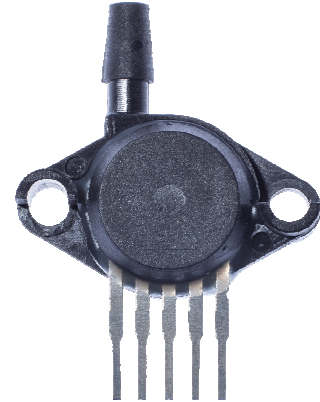
This Smartec pressure sensor has an amplified analogue output. The sensor is compensated for offset, sensitivity, temperature drift and nonlinearity. The sensor has a range of 15 PSI(102 kPa) absolute and the output is ratiometric to the power supply voltage.

Electrical Characteristics

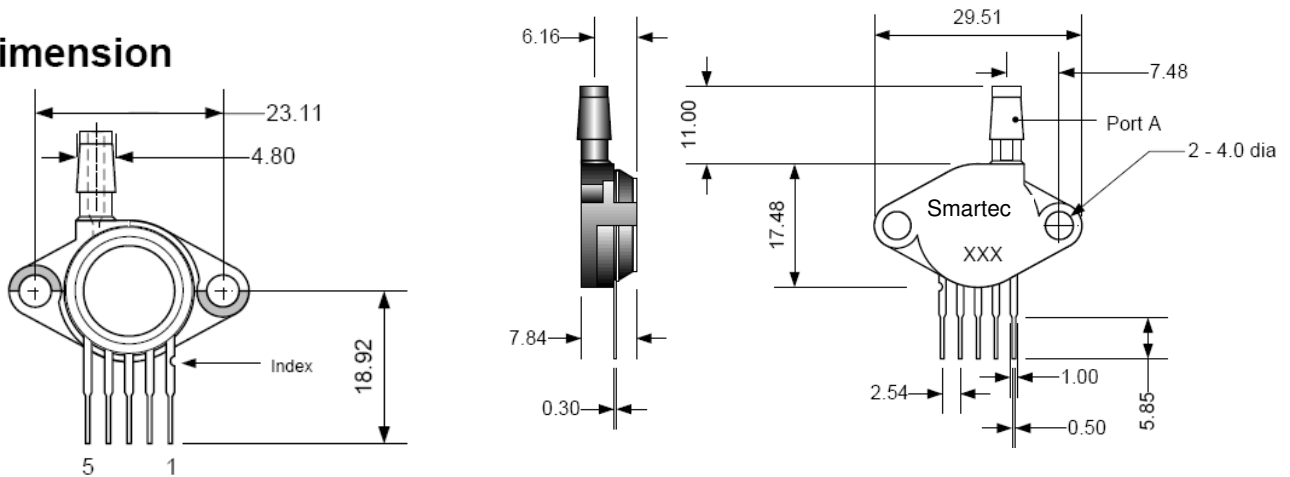
Performance Characteristic @ Vcc = 5V and @ 25 °C Output is ratiometric to Vcc

Parameter	Min	Typ	Max	Units.
Supply Voltage	4.75	5.00	5.25	V
Supply Current	-		2.0	mA
Pressure range (fs)	15		102	kPa
Zero Output (15 kPa)	0,117	0,2	0,282	Vdc
Span Output (87 kPa)		4,6		Vdc
linearity	-0,5		0,5	%FS
thermal hysteresis	-0,15		0,15	%FS
Accuracy			±1,8	%FS
Response time		1	2	ms
Pressure overload			3 X	rated
Temp compensation	0		86	•C
Operating Temp range	-40		125	•C
Storage temperature	-40		125	•C

- Accuracy includes non-linearity, hysteresis, TCS and TCO from 0 – 85 °C.
- Output is ratiometric to the Vcc



Dimension



Use of N.C. pins will cause malfunction
 Connect between Vcc and Gnd a capacitor of 100 nF

Pin	Description
1	NC
2	Vcc
3	Output
4	Gnd
5	NC