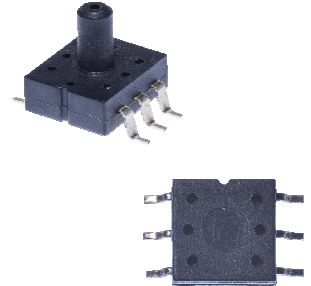


This Smartec pressure sensor has an amplified analogue output. The sensor is compensated for offset, sensitivity, temperature drift and nonlinearity. The sensor is available in the range from 5 to 100 psi. All ranges on request. Available in Gauge and Absolute type. The output is ratiometric to the power supply voltage. @ 5 V power voltage the output span is 0.5 to 4.5 V. The SPD analogue series can be considered as an "analogue" successor of the SPD series



**Electrical Characteristics**

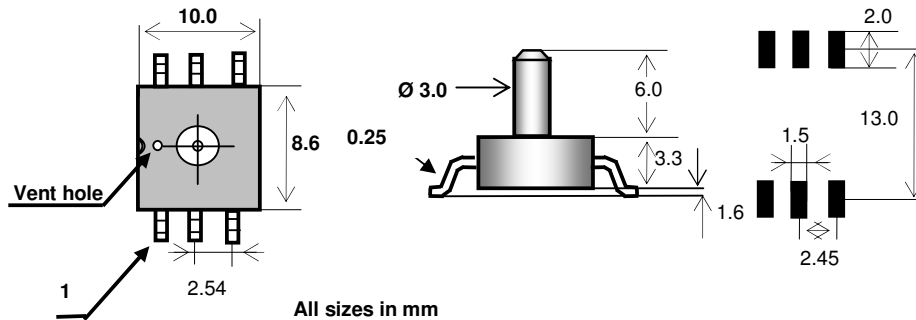
Performance Characteristic at Vcc =5V excitation @ 25 °C

Parameter	Min	Typ	Max	Units
Supply Voltage	4.75	5	5.5	V
Supply Current			3	mA
Pressure range (fs)	0		30	psi
Zero Output *)	0.428	0.5	0.572	Vdc
Span Output *)		4.00		Vdc
Max output current			1	mA
Accuracy **)			±1.8	%FS
Response time		1	2	ms
Pressure overload			3x	Rating
Operating temperature	-20		85	°C
Storage temperature	-40		125	°C

Wetted materials are: Pyrex Glass, Epoxy and silicon

\*) Output is ratiometric to supply voltage

\*\*) all errors included, temperature compensation over 50 °C



**Pin Description**

- 1 NC
- 2 Vcc
- 3 GND
- 4 Vcc
- 5 Out
- 6 GND

Do NOT connect NC pins  
 Apply 100nF between Vcc and Gnd.